

INTELLECTUAL PROPERTY

All designs, inventions, patents, know how, new technology, improvements and all similar matters made, designed or developed by the Company shall be the sole property of the Company and the Purchaser shall procure at no charge to the Company the execution of any and all papers necessary to perfect the ownership by the Company. All material, drawings, trademarks, logos, patterns, samples, specifications and other technical data prepared by the Company shall be and shall at all times remain the property of the Company. The purchaser may at times with written permission from the Company be entitled to reproduce and use such data within their own portfolio for specific purposes as agreed and authorized in writing by the Company.

INDEMNITY

The Company shall not be responsible for any consequential loss of any description incurred by the Purchaser as a result of any failure or fault in the Goods or services or for any damages or personal injuries or other losses, howsoever caused directly or indirectly by the Goods or services provided, to the fullest extent permitted by law. The Company cannot warrant any product information provided in any promotional material, expressly or implied, and any liability arising from it is expressly excluded. The Purchaser must satisfy themselves as to the suitability of any products or services supplied by the Company and the technical information relating to them, and it is recommended that the Purchaser should conduct their own tests to establish the suitability of any product or services for any application.

**CALL US FOR MORE
BESPOKE BOUNDARY
PROTECTION
SERVICES**

Tel: 07847 511 968

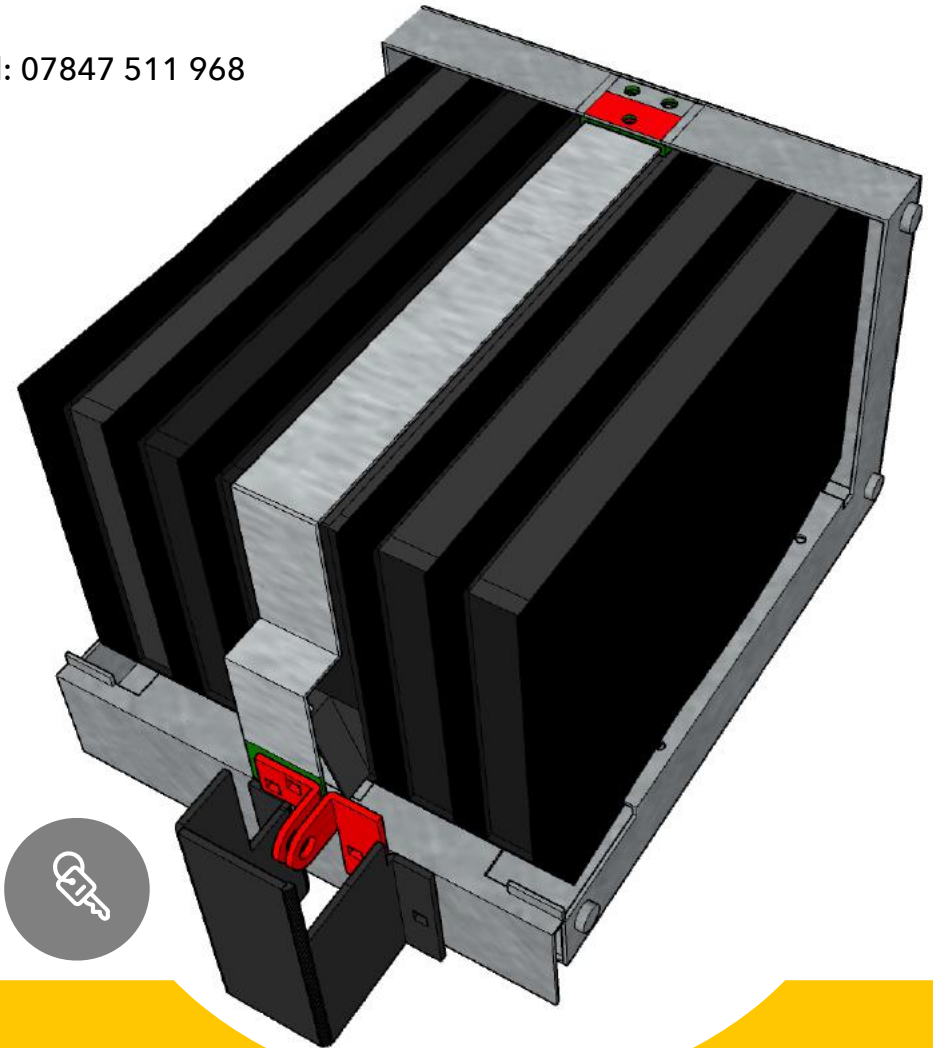


DAF 180 LF Battery

Protector Clasp MK7-T User Manual



Tel: 07847 511 968



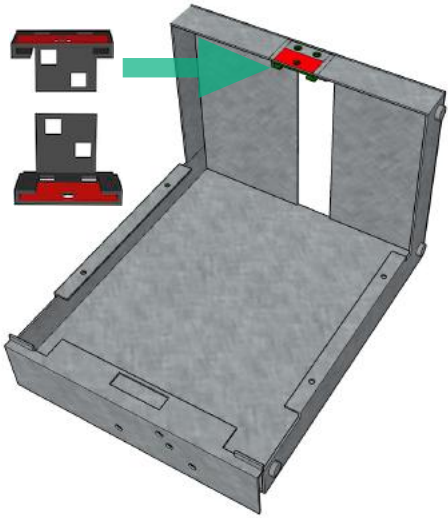
Low cost effective solutions

Keep it safe, Keep it secure, Security matters

4tress4gates Ltd
16 Perry Wood Road, Great Barr, Birmingham B42 2BQ
web: www.4tress4gates.com email: contactus@4tress4gates.com

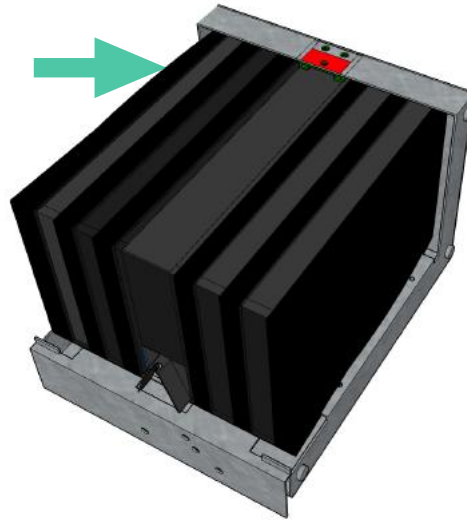
web: www.4tress4gates.com email: contactus@4tress4gates.com

STEP 1



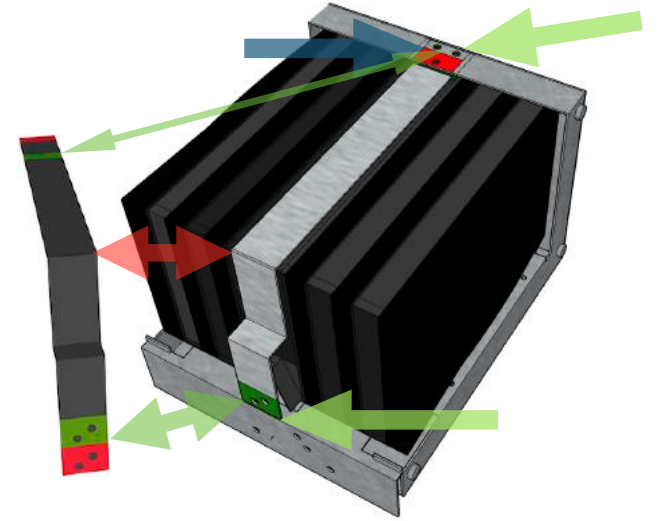
**FIT BRACKET
TO BATTERY BOX OR CHASSIS**

STEP 2



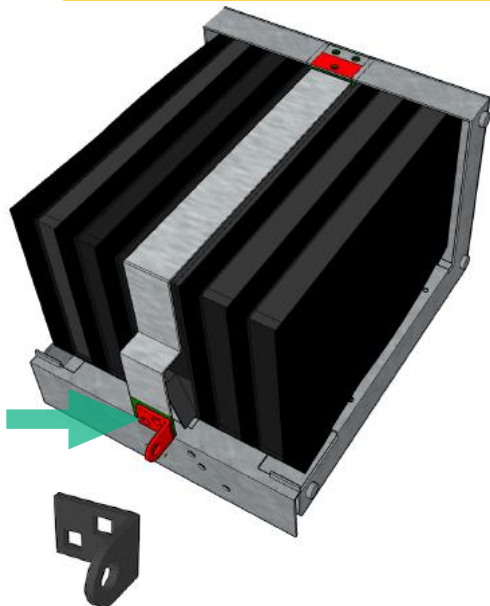
REFIT COVER

STEP 3



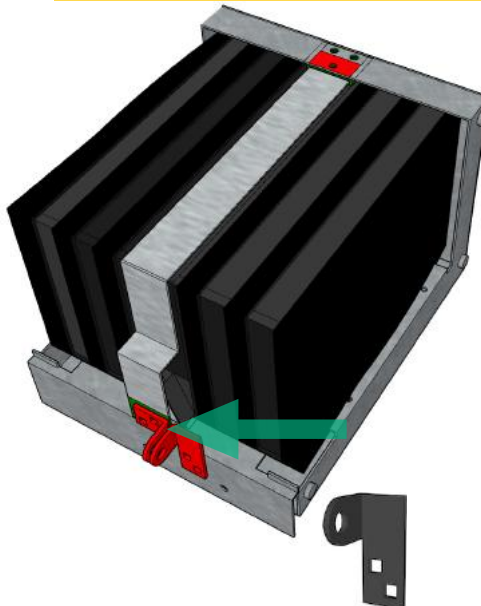
**FIT CLASP FLUSH TO FRONT COVER
30 MM INSIDE BRACKET CUT OFF EXCESSES**

STEP 4



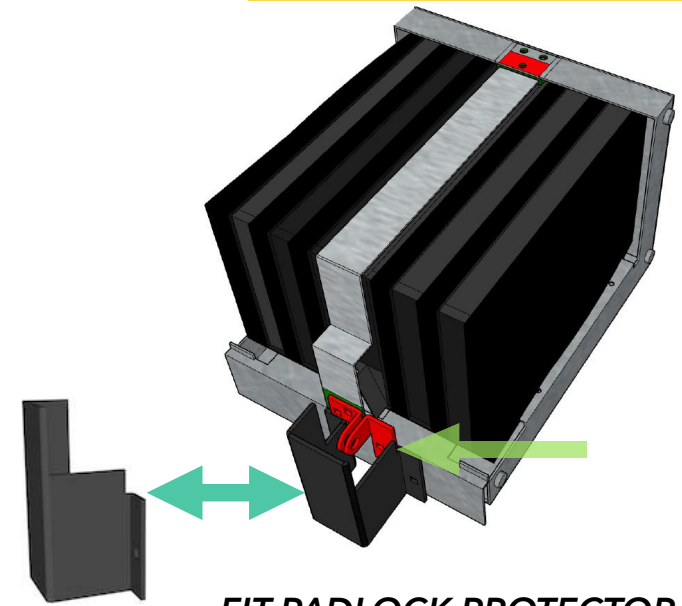
**FIT STAPLE
5MM FROM BASE OF CLASP**

STEP 5



**FIT HASP
WITH 5 MM GAP RIGHT OF STAPLE**

STEP 6



**FIT PADLOCK PROTECTOR
RIGHT FLANGE NEXT TO HASP**